

Rotary Vane Vacuum Pump

2100SD OR **C1** PASCAL Series **adixen** **ALCATEL**

2100SD/C1 CFM 85

Alcatel Adixen Pascal Series 2100SD and 2100C1 Rotary Vane Vacuum Pumps



2100SD

SD Series address the requirements of all major vacuum application for non-corrosive applications.



2100C1

C1 Series specifically designed for pumping corrosive or aggressive gases in the chemical industry and R&D, meeting strict requirements with regards to material compatibility and corrosion resistance.

Specifications for 2100 SD/C1

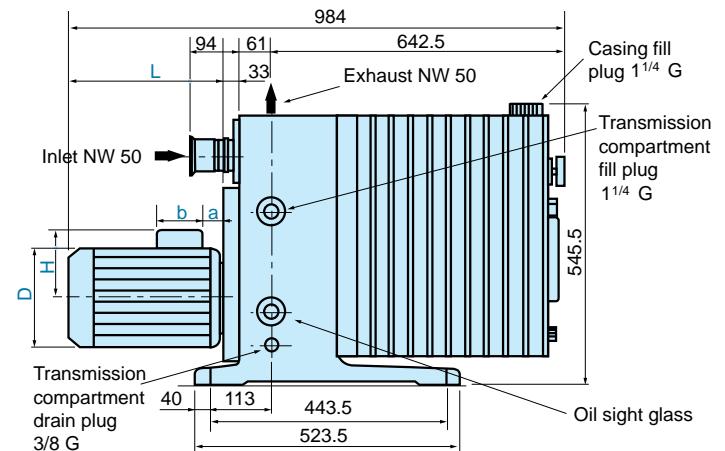
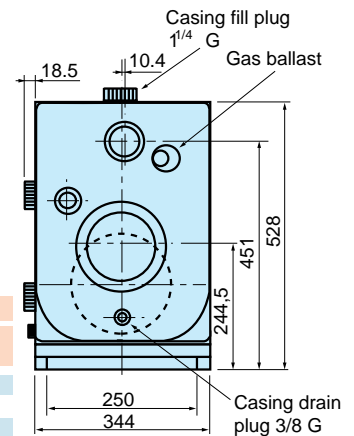
SD - C1 PASCAL Series 2 Stages

Specifications		Units	2100SD	2100C1
Part Number			786030	786510
Price (2008 List Prices)			\$15,290.00	\$18,600.00
Nominal pumping speed (*)	50Hz	m ³ /h	120	120
	60Hz	cfm	85	85
Pneurop pumping speed (*)	50Hz	m ³ /h	100	100
	60Hz	cfm	70.6	70.6
Ultimate partial pressure (*)		mbar	2.10 ⁻⁴	3.10 ⁻⁴
Ultimate total pressure (*)	closed gas ballast	mbar	3.10 ⁻³	3.10 ⁻³
	open gas ballast	mbar	3.10 ⁻²	2.10 ⁻¹
Water vapor capacity	50/60Hz	g/h	3000	3000
Water vapor pressure	50/60Hz	mbar	40	40
Weight (max)		kg (lbs)	231 (508)	231 (508)
Dimensions		see graphic to the right		
Electrical motors		50 hz 220/380vac 240/415vac 60 hz 220/380vac 280/480vac		
Max nominal power rating	50/60Hz	kW	3/3.6	3/3.6
Min ambient temperature		°C (°F)	12 (54)	12 (54)
Max ambient temperature		°C (°F)	45 (113)	45 (113)
Oil capacity		l	7.5	7.5
Inlet flange		ISO-KF	DN 50	DN 50
Exhaust flange		ISO-KF	DN 50	DN 50

Dimensional Drawings for 2100 SD/C1 Alcatel Adixen Vacuum Pumps (In mm)

Specific dimensions according to motors

Motor type	L mm	D mm	H mm	a mm	b mm
VDE	310	196	140	44.5	86
CSA	305	195	140	44.5	86
JIS	310	196	140	44.5	86

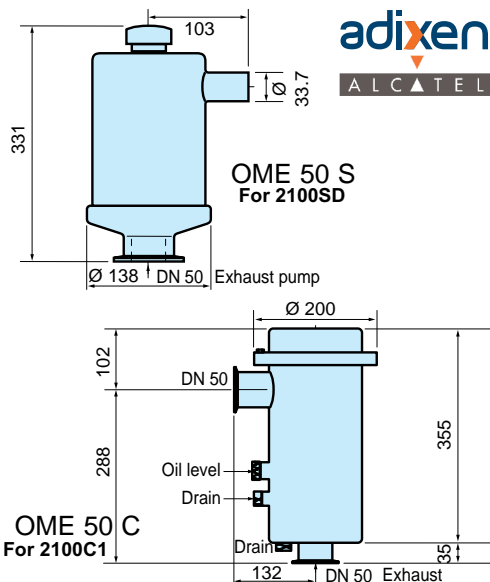


To Our Website
idealvac.com

Ideal Vacuum Products, LLC
2401B Phoenix Ave. NE
Albuquerque, NM 87107
Phone: (505) 872-0037
idealvac.com or pchemlabs.com

Accessories for 2100SD/C1 Vacuum Pumps

Oil Mist Eliminators From Alcatel



OME 50 S for pump 2100SD
Suitable for standard applications

material: body: stainless steel
 cartridge: cellulose
 weight: 3.5kg 7.7 lbs
 inlet port/exhaust port: DN50 ISO-KF: P/N 104888
 Price.....\$1,464.00

Replacement Cartridge (1 set): P/N 082672
 Price.....\$63.00

OME 50 C for pump 2100C1
Suitable for corrosive applications **except fluorinated gases**

material: body: stainless steel
 cartridge: PTFE/glass micro-fiber
 weight: 9kg 19.8 lbs
 inlet port/exhaust port: DN50 ISO-KF: P/N 068996
 Price.....\$4,956.60

Replacement Cartridge (single): P/N 068778
 Price.....\$88.50
 (3 are necessary)

Oil Mist Eliminators For 2100SD

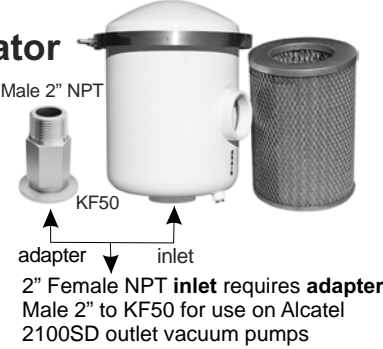
Oil Mist eliminators retain oil mist contained in the exhausted gases with a high level of separation; an internal over pressure valve prevents exceeding the maximum exhaust pressure.

Heavy Duty Oil Mist Eliminator

material: body: carbon steel canister
 with 1/4" drain cap, inlet port: 2" P/N P102589
 weight: 15 lbs. Parent Flow 125 CFM
 Price.....(comes with cartridge).....\$473.00

Adapter 2" inch to ISO KF50 Available on Website
 Price.....\$131.25

Replacement Cartridge (single): P/N P102627
 Price.....\$80.85



DE External Oil Filters For 2100SD/C1

DE FILTERS retain solid particles and/or neutralizes corrosive products contained in the oil of the pump. DE filters can be connected to any rotary vane pump from 5 m³/h to 100 m³/h; all necessary components for connexion are included.



DE Filter Media DE1(1 Cartridge) DE2(2 Cartridges)

- **Cellulose filter:** filtration of solid particles only
Applications: General Use
- **Activated alumina:** envelope/charge of activated alumina
Applications: mineral acids, Lewis acids, Polar compounds.
- **Activated charcoal:** envelope/charge of activated charcoal.
Applications: Chlorinated products, water and chlorine, Nitrous vapors, Ammonia.

[To Our Website
idealvac.com](http://www.idealvac.com)



Ideal Vacuum Products, LLC
 2401B Phoenix Ave. NE
 Albuquerque, NM 87107
 Phone: (505) 872-0037
idealvac.com or pchemlabs.com

DE External Filters

	DE1	DE2
Price	\$5095.00	\$7260.00
weight kg/lbs	12/24.6	17/37.4
electrical supply	110/220V 50HZ	115/230V 60 HZ
oil flow hydrocarbon	1000 - 1500 cm ³ /mn	
synthetic	1000 cm ³ /mn at 65° C	
P/N 110/115V	068991	104375
220/230V	068990	104374

Replacement Cartridges

Price	\$97.65	\$91.50	\$115.05
type	activated alumina	activated charcoal	cellulose
P/N	068880	068881	078212

- standard (factory installed) cartridges are:
 DE 1 : activated alumina
 DE 2 : cellulose and activated alumina
- oil volume : DE 1: 1.2 lit. - DE 2: 1.8 lit.