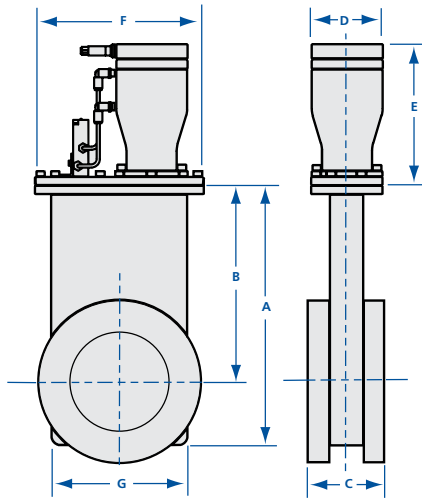


Isolation Valves - Pneumatic Viton Seal Gate Valves



SPECIFICATIONS

General

Nominal IDs: 1 1/2 to 12 inch
Helium leak rate: $\leq 2 \times 10^{-9}$ std. cc./sec.

Materials

Body: 304 SS vacuum furnace brazed body
Bellows: Welded AM-350
O-ring: Viton (standard), other compounds available.

Finish: Electropolished inside and out

Maximum pressure differential

At opening: 20 Torr
Closed: 760 Torr in either direction

Vacuum range

Viton seal bonnet: $\geq 10^{-9}$ Torr

Temperature range

Viton seal bonnet: $\leq 150^\circ\text{C}$

Pneumatically actuated: Air-to-Open, Air-to-Close (standard)

80 psi max. air pressure (standard)

(Higher operating pressures available upon request)

Position indicator:

Reed-switch position indicator, standard on 1.5" and larger valves

- Options:**
- Air solenoid
 - Microswitch position indicator
 - O-ring compounds
 - Spring-to-Close Option
 - Million Cycle Option
 - High pressure air actuator
 - Heater Jackets

Pneumatically Actuated Viton Seal Gate Valves

MODEL NUMBER	NOM. ID	FLANGE TYPE	CONDUCTANCE (molecular-l/Sec.)	A	B	C	D	E	F	G
GVP-0622-NW	5/8	NW-16	12	2.39	1.75	2.96	1.00	2.55	1.88	1.31
GVP-0622-CF	5/8	1.33 CF	12	2.39	1.75	1.56	1.00	2.55	1.55	1.31
GVP-1502-NW	1 1/2	NW-40	98	4.69	3.40	1.99	2.00	5.29	3.31	2.45
GVP-1502-CF	1 1/2	2.75 CF	130	4.69	3.40	2.03	2.00	5.29	3.31	2.45
GVP-2002-NW	2	NW-50	220	5.60	4.12	1.99	2.00	5.29	3.81	2.96
GVP-2002-CF	2	3.38 CF	300	5.60	4.12	2.28	2.00	5.29	3.81	2.96
GVP-2502-CF	2 1/2	4.50 CF	520	6.50	4.81	2.40	2.00	5.29	4.37	3.52
GVP-2502-ASA	2 1/2	ASA-6*	610	6.50	4.81	2.03	2.00	5.29	4.37	3.52
GVP-2502-ISO	2 1/2	ISO-63	610	6.50	4.81	2.03	2.00	5.29	4.37	3.52
GVP-2502-ISO-OF	2 1/2	ISO-63-OF	320	6.50	4.81	3.46	2.00	5.29	4.37	3.52
GVP-3002-CF	3	4.62 CF	840	7.70	5.77	2.53	2.00	5.29	4.94	4.28
GVP-3002-ASA	3	ASA-7.5*	1,070	7.70	5.77	2.03	2.00	5.29	4.94	4.28
GVP-3002-ISO	3	ISO-80	1,070	7.70	5.77	1.97	2.00	5.29	4.94	4.28
GVP-3002-ISO-OF	3	ISO-80-OF	550	7.70	5.77	3.84	2.00	5.29	4.94	4.28
GVP-4002-CF	4	6.00 CF	1,700	10.76	8.13	2.97	2.97	6.95	7.00	5.65
GVP-4002-ASA	4	ASA-9*	2,100	10.76	8.13	2.41	2.97	6.95	7.00	5.65
GVP-4002-ISO	4	ISO-100	2,100	10.76	8.13	2.41	2.97	6.95	7.00	5.65
GVP-4002-ISO-OF	4	ISO-100-OF	1,400	10.76	8.13	4.25	2.97	6.95	7.00	5.65
GVP-6002-CF	6	8.00 CF	5,400	14.07	10.64	3.17	2.97	6.95	8.75	7.55
GVP-6002-ASA	6	ASA-11*	7,100	14.07	10.64	2.41	2.97	6.95	8.75	7.55
GVP-6002-ISO	6	ISO-160	7,100	14.07	10.64	2.36	2.97	6.95	8.75	7.55
GVP-6002-ISO-OF	6	ISO-160-OF	4,000	14.07	10.64	4.25	2.97	6.95	8.75	7.55
GVP-8002-CF	8	10.00 CF	12,200	18.42	13.93	3.35	2.97	6.95	11.25	10.02
GVP-8002-ASA	8	ASA-11*	14,500	18.42	13.93	2.76	2.97	6.95	11.25	10.02
GVP-8002-ISO	8	ISO-200	15,200	18.42	13.93	2.66	2.97	6.95	11.25	10.02
GVP-8002-ISO-OF	8	ISO-200-OF	9,500	18.42	13.93	4.25	2.97	6.95	11.25	10.02
GVP-10002-CF	10	12.00 CF	24,900	24.04	18.30	3.65	4.75	9.47	13.44	11.99
GVP-10002-ASA	10	ASA-16*	24,800	24.04	18.30	3.15	4.75	9.47	13.44	11.99
GVP-10002-ISO	10	ISO-250	26,900	24.04	18.30	3.15	4.75	9.47	13.44	11.99
GVP-10002-ISO-OF	10	ISO-250-OF	15,400	24.04	18.30	5.51	4.75	9.47	13.44	11.99
GVP-12002-CF	12	14.00 CF	34,600	28.89	22.03	3.89	4.75	9.47	15.90	14.28
GVP-12002-ASA	12	ASA-16*	42,800	28.89	22.03	3.15	4.75	9.47	15.90	14.28
GVP-12002-ISO	12	ISO-320	42,800	28.89	22.03	3.15	4.75	9.47	15.90	14.28
GVP-16002-ISO	16	ISO-400	74,905	37.85	28.79	3.85	6.95	10.51	19.81	18.65

*Note: All ASA flanged valves are provided without O-ring grooves. Grooves can be provided on request

