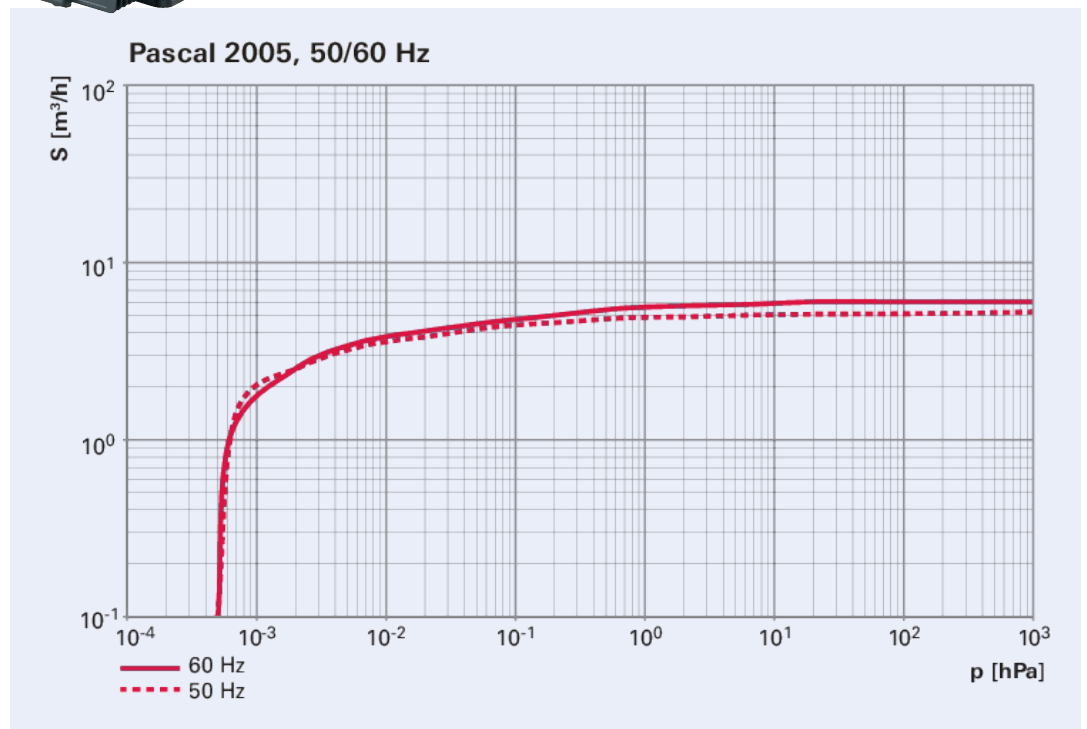


Pascal 2005 C1

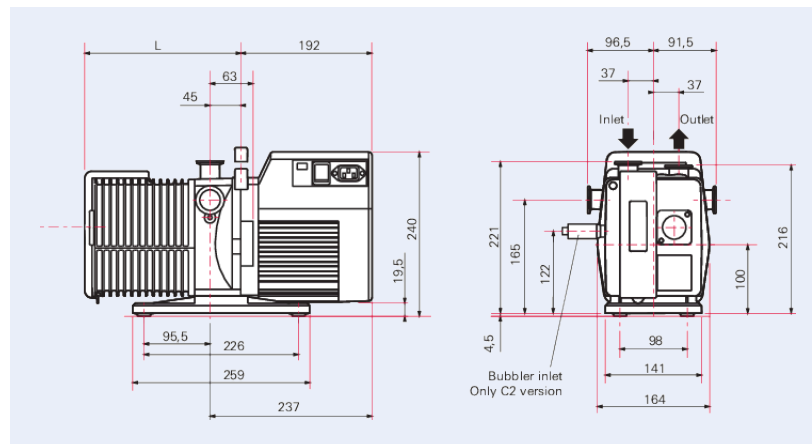


Pascal 2005, C1 version, 1-phase motor, 90 – 132 V, 50 Hz/60 Hz, CE/UL/CSA

Characteristics



Dimensions



L	228 mm
ŞL ŞL	228 mm

Technical Data

Pascal 2005, C1 version, 1-phase motor, 90 – 132 V, 50 Hz/60 Hz, CE/UL/CSA

Connection flange (in)	DN 25 ISO-KF
Connection flange (out)	DN 25 ISO-KF
Pumping speed at 50 Hz	5 m ³ /h 2.943 cfm 83.335 l/min
Pumping speed at 60 Hz	6 m ³ /h 3.5316 cfm 100.002 l/min
Ultimate pressure	5 · 10 ⁻⁴ hPa 3.75 · 10 ⁻⁴ Torr 5 · 10 ⁻⁴ mbar
Ultimate pressure with gas ballast	1 · 10 ⁻² hPa 7.5 · 10 ⁻³ Torr 1 · 10 ⁻² mbar
Motor for region	Japan USA
Motor type	1-phase motor
Input voltage 50 Hz	90 – 132 V
Input voltage 60 Hz	90 – 132 V
Input voltage(s)	90 – 132 V AC, 50/60 Hz
Mains cable included	Yes
Mains cable type	US
Mains cable	Yes, US mains cable
Corrosive gas version	Yes
Operating fluid	Mineral oil
Rated power 50 Hz	0.45 kW
Rated power 60 Hz	0.55 kW
Protection degree	IP43
Weight	25 kg 55.12 lb

Order number

Pascal 2005, C1 version, 1-phase motor, 90 – 132 V, 50 Hz/60 Hz, CE/UL/CSA

Pascal 2005, C1 version, 1-phase motor, 90 – 132 V, 50 Hz/60 Hz, CE/UL/CSA	205C1MLAM
--	-----------

Your Success. Our Passion.

We give our best for you every day –
worldwide!

Are you looking for an optimum vacuum solution?

Talk to us:
Pfeiffer Vacuum GmbH
Germany
T +49 6441 802-0

Or scan the barcode, to visit our web page:



<https://webportal.pfeiffer-vacuum.com/global/en/contact>



Errors and/or changes excepted. - 10/7/2024

Follow Us On Social Media
#pfeiffervacuum



www.pfeiffer-vacuum.com

PFEIFFER  **VACUUM**