

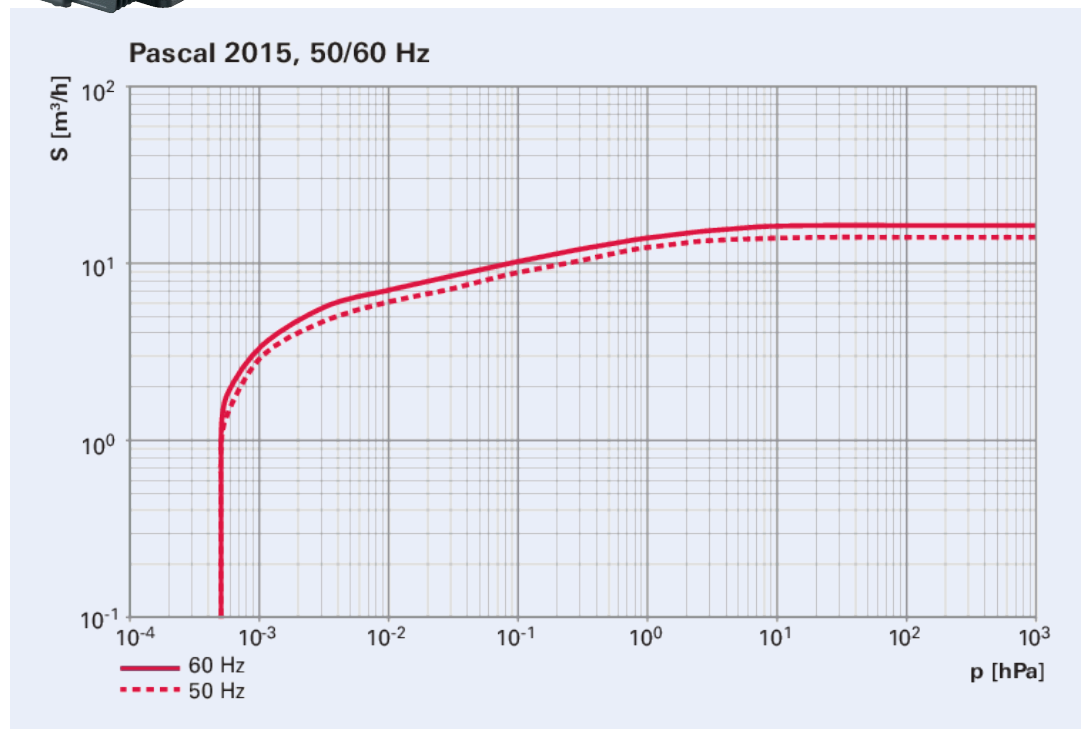


# Pascal 2015 C1

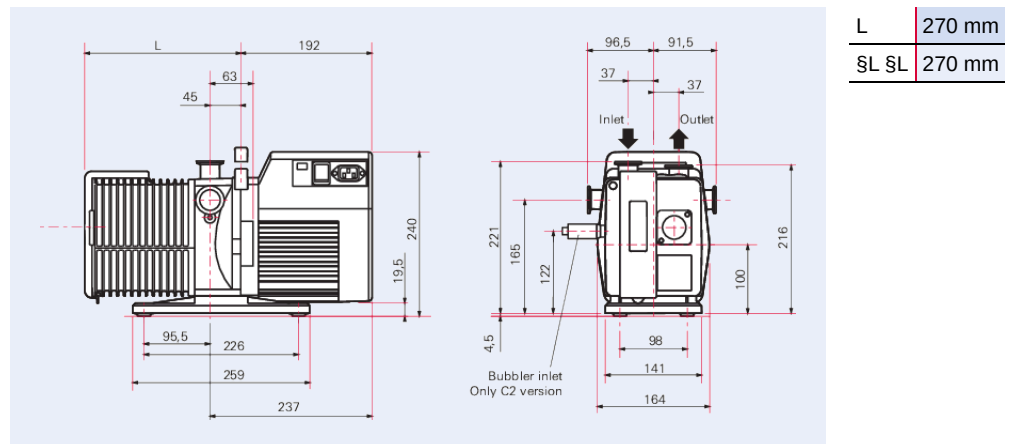


Pascal 2015, C1 version, 1-phase motor, 90 – 132 V, 50 Hz/60 Hz, CE/UL/CSA

## Characteristics



## Dimensions



## Technical Data

### Pascal 2015, C1 version, 1-phase motor, 90 – 132 V, 50 Hz/60 Hz, CE/UL/CSA

Connection flange (in)	DN 25 ISO-KF
Connection flange (out)	DN 25 ISO-KF
Pumping speed at 50 Hz	14 m <sup>3</sup> /h   8.2404 cfm   233.338 l/min
Pumping speed at 60 Hz	16.5 m <sup>3</sup> /h   9.7119 cfm   275.0055 l/min
Ultimate pressure	5 · 10 <sup>-4</sup> hPa   3.75 · 10 <sup>-4</sup> Torr   5 · 10 <sup>-4</sup> mbar
Ultimate pressure with gas ballast	1 · 10 <sup>-2</sup> hPa   7.5 · 10 <sup>-3</sup> Torr   1 · 10 <sup>-2</sup> mbar
Motor for region	Japan   USA
Motor type	1-phase motor
Input voltage 50 Hz	90 – 132 V
Input voltage 60 Hz	90 – 132 V
Input voltage(s)	90 – 132 V AC, 50/60 Hz
Mains cable included	Yes
Mains cable type	US
Mains cable	Yes, US mains cable
Corrosive gas version	Yes
Operating fluid	Mineral oil
Rated power 50 Hz	0.45 kW
Rated power 60 Hz	0.55 kW
Protection degree	IP43
Weight	27 kg   59.52 lb

## Order number

### Pascal 2015, C1 version, 1-phase motor, 90 – 132 V, 50 Hz/60 Hz, CE/UL/CSA

Pascal 2015, C1 version, 1-phase motor, 90 – 132 V, 50 Hz/60 Hz, CE/UL/CSA	215C1MLAM
--	-----------

## Your Success. Our Passion.

We give our best for you every day –  
worldwide!

Are you looking for an optimum vacuum solution?

Talk to us:  
Pfeiffer Vacuum GmbH  
Germany  
T +49 6441 802-0

Or scan the barcode, to visit our web page:



<https://webportal.pfeiffer-vacuum.com/global/en/contact>



Errors and/or changes excepted. - 10/7/2024

Follow Us On Social Media  
#pfeiffervacuum



[www.pfeiffer-vacuum.com](http://www.pfeiffer-vacuum.com)

**PFEIFFER**  **VACUUM**