

Glove Box Wall

Oring Seal

Support Plate

Sealing Face

Adapter Plate

DO NOT SCALE DRAWING

UNLESS OTHERWISE SPECIFIED  
DIMENSIONS ARE IN INCHES

DIMENSIONS PROVIDED FOR  
REFERENCE ONLY

PROPRIETARY AND CONFIDENTIAL

THE INFORMATION CONTAINED IN THIS  
DRAWING IS THE SOLE PROPERTY OF Ideal  
Vacuum Products, LLC. ANY  
REPRODUCTION IN PART OR AS A WHOLE  
WITHOUT THE WRITTEN PERMISSION OF Ideal  
Vacuum Products, LLC IS PROHIBITED.



6x12 Glove-Box Adapter Plate  
Assembly

SIZE <b>A</b>	Part No: P1011467	RELEASE DATE: 12/3/2020
SCALE:1:8	WEIGHT:	SHEET 1 OF 2

5

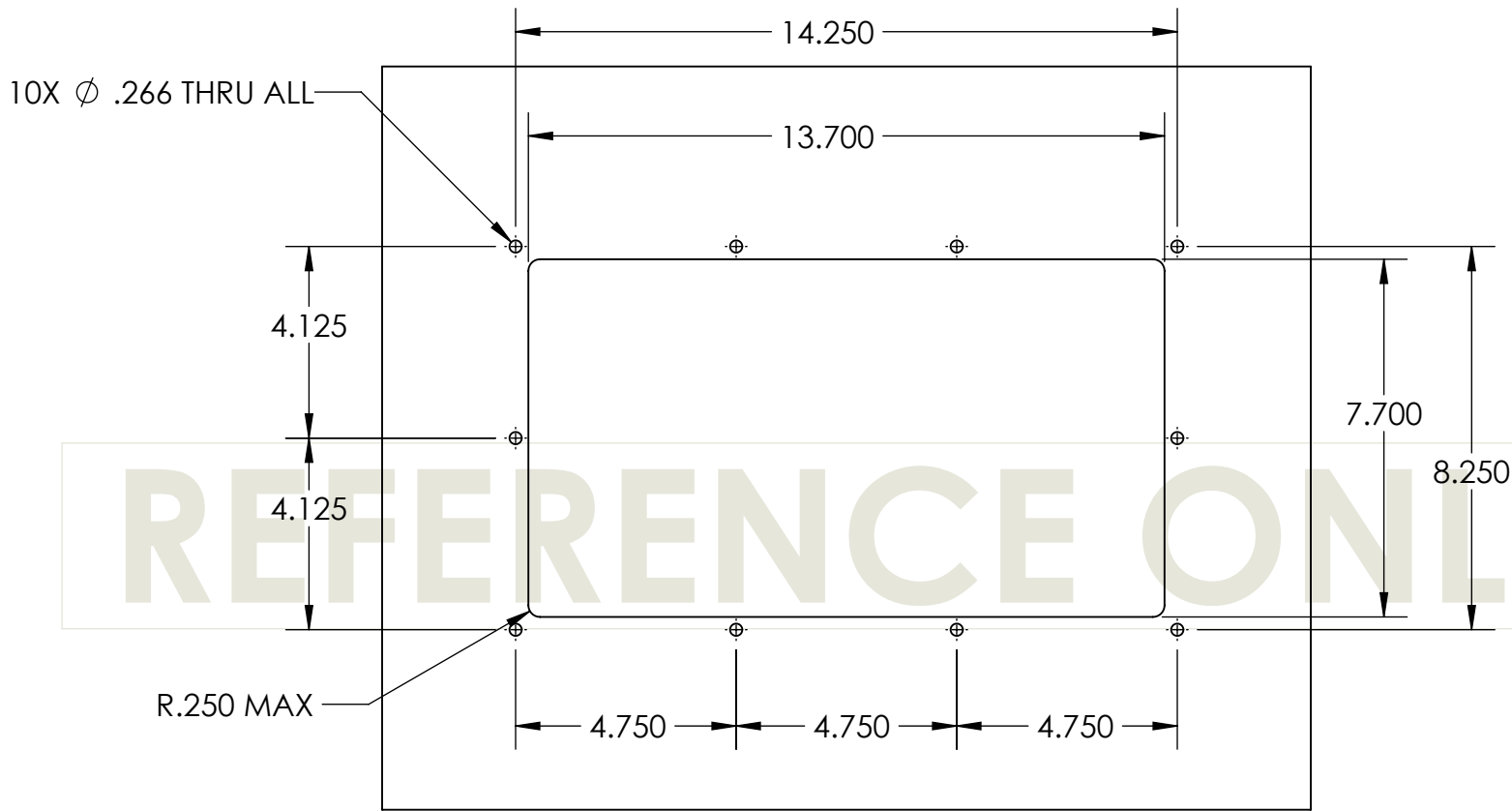
4

3

2

1

Cutout Dimensions



REFERENCE ONLY

DO NOT SCALE DRAWING

UNLESS OTHERWISE SPECIFIED  
DIMENSIONS ARE IN INCHES

DIMENSIONS PROVIDED FOR  
REFERENCE ONLY

PROPRIETARY AND CONFIDENTIAL

THE INFORMATION CONTAINED IN THIS  
DRAWING IS THE SOLE PROPERTY OF Ideal  
Vacuum Products, LLC. ANY  
REPRODUCTION IN PART OR AS A WHOLE  
WITHOUT THE WRITTEN PERMISSION OF Ideal  
Vacuum Products, LLC IS PROHIBITED.



6x12 Glove-Box Adapter Plate  
Assembly

SIZE <b>A</b>	Part No: VC-01-875-website	RELEASE DATE: 12/3/2020
SCALE:1:8	WEIGHT:	SHEET 2 OF 2